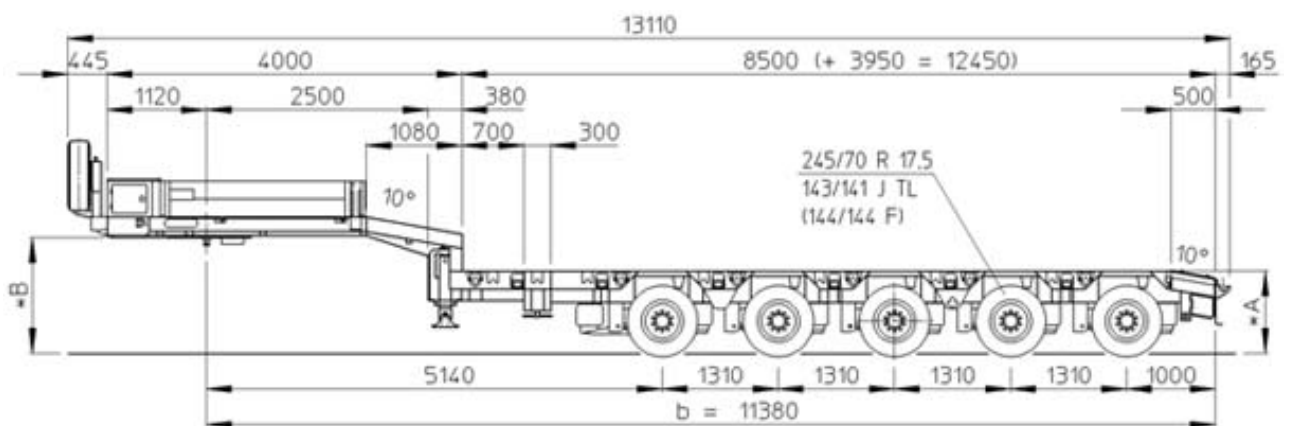




Semitrailer Type STZ-L 5-53/80 A F2 | Car-No. 34413



5th Wheel load: 18.000 kg
 Axle load: 5 x 10.000 kg
 Gross weight: 68.000 kg
 Payload: 52.500 kg
 Colour: Nova-grey



| | | | |
|-----|------|------|----|
| A | 925 | 885 | mm |
| Hub | +100 | +140 | mm |
| | -100 | -60 | mm |
| B | 1300 | 1260 | mm |

* = beladen

Vehicle ident. No. 34413

Technical data

| | |
|--|---|
| Speed | 80 km/h |
| 5th Wheel load/ Axle load | 18.000 kg / 5 x 10.000 kg |
| Gross weight | 68.000 kg |
| Deadweight approx. | 15.500 kg |
| Payload approx. | 52.500 kg |
| Loading platform with 500 mm bevel | 8 500 mm (+ 3 950 mm) x 2 550 mm |
| Loading height in driving position laden approx. | 925 mm +/- 100 mm bzw. 885 mm +140/-60 mm |
| 5th Wheel height laden | 1.300 mm / 1.260 mm |
| Tyres (16-off) Continental | 245/70 R 17,5 146/146 F |
| Clearance radius at the gooseneck front / rear | 1.500 mm / 2.500 mm |

Equipment

- 1 set of aluminium side walls on the gooseneck, 400 mm
- 2 pairs of lashing rings APS 3 in the gooseneck

- 1 pair of lashing rings APS 5 in the gooseneck
- 6 pairs of LC 10000 in the outer frame
- 2 pairs of lashing rings APS 8 in the loading platform at front and at rear
- 1 pair of Laxo sleeves in the loading platform at front
- 7 pairs of stake pockets
- Hydraulic connection for the tractor
- Auxiliary steering easyCONTROL „Comfort“ with remote control
- 1 holder for rotating beacon lights and sockets
- EBS-brake system
- 1 pair of warning plates with holders and sockets
- 7-chamber-light at rear
- Air suspension incl. lifting and lowering
- BPW-axles (5 steering axles)
- Spare wheel carrier at the front side of the gooseneck
- 1st axle liftable (load dependent)
- 1 set of side extensions extendible up to 3.000 mm, incl. holder for planks on the gooseneck
- Stowage box (steel), galvanised, on the gooseneck
- Central lubrication system, make „Beka Max“
- Perforated strip for aluminium ramps at the gooseneck
- Excavator recess near the bevel (LxW approx. 1.650 mm x 674 mm)
- Ramp execution as per customer's request
- Technical 5th wheel load 26.000 kg (with direct loading above the kingpin)

Subject to prior sale!



Add to Clipboard